

DIAMOND ANTENNA

SG-M911

6m/2m/70cm Tri-Band Mobile Antenna

Specifications

FREQUENCY:	6m: 52-54 MHz, 2m: 144-148 MHz, 70cm: 440-450 MHz
GAIN :	6m: 2.15 dBi, 2m: 2.15 dBi, 70cm: 5.5 dBi
POWER :	60 Watts
ELEMENT PHASING :	6m: $1/4\lambda$, 2m: $1/2\lambda$, 70cm: $2\ 5/8\lambda$
IMPEDANCE :	50 Ohms (nominal)
VSWR :	1.5:1 (nominal)
LENGTH :	41"
WEIGHT :	.3 lbs.
MOUNT :	UHF Male
WARRANTY :	1 year against defects in material or workmanship.
Recommended Mounts:	K400C, K400S, K412C, K412S, K600M and K600S.

Antenna Assembly

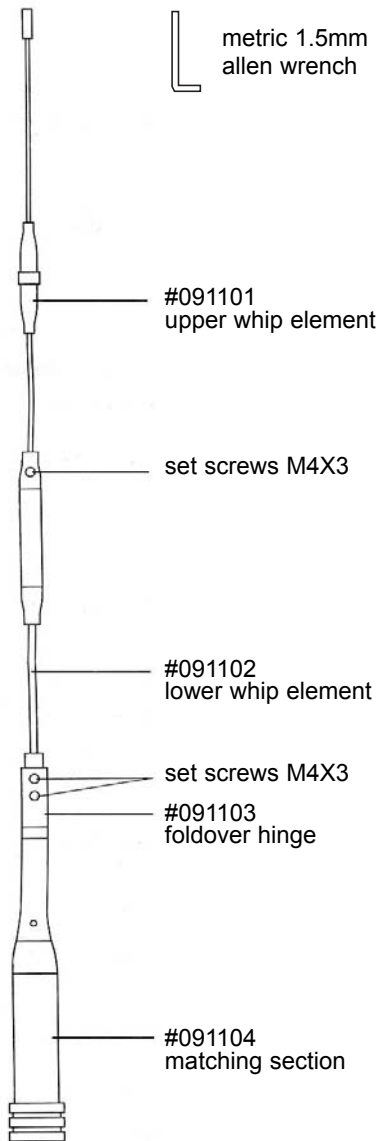
THE SG-M911 REQUIRES PEOPER VEHICLE GROUND. MOUNTING LOCATION WILL AFFECT VSWR. NOT RECOMMENDED FOR MAGNET MOUNTS.

1. Remove antenna from package and inspect contents to insure it is complete.
2. Choose desired mounting location to insure proper vehicle grounding, maximum strength of mount, and best performance of antenna.
3. Install antenna on vehicle. Use quality meter to check VSWR. The SG-M911 is pre-tuned and only minor adjustment may be required for best VSWR. Minor tuning can be achieved by loosening setscrews at fold-over and adjusting lower element.
4. Tighten setscrews. Recommend using removable Loctite Threadlocker #242 or similar product to insure proper fastening of setscrews.

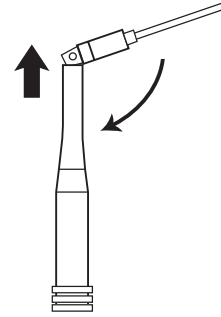
Foldover Hinge Assembly

Lift upper half of foldover hinge vertically out of its conical socket, avoiding the use of the sockets' edge as a fulcrum. Position hinge to permit foldover in desired direction. Care should be taken when folding over, not to damage vehicle or antenna. Do not drive with antenna in folded position.

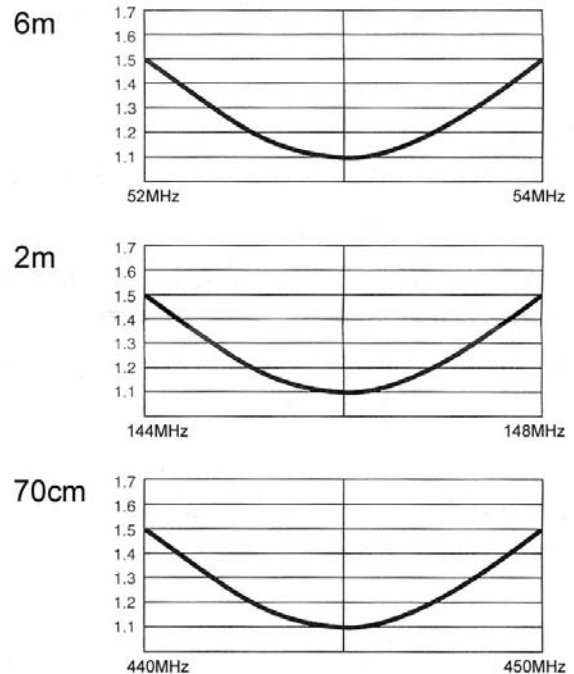
Assembly Diagram



Foldover Diagram



VSWR (nominal)



WARNING!

PLEASE READ BEFORE INSTALLATION

MOBILE ANTENNA: For ease of installation, DIAMOND ANTENNA MOBILE MOUNTS are strongly recommended. In some cases, mobile mounts of different manufacturers' may not interface well with DIAMOND Antennas. DIAMOND Mobile antennas are pre-tuned to give best possible performance on the band(s) for which they are designed. In some installations, minor VSWR adjustment may be made by moving the antenna up/down at the base end. Two set screws at the foldover hinge allow for adjustment.

LARGE GVW TRUCK AND OFF ROAD VEHICLES: Due to the excessive vehicle vibration, antennas exceeding 45" are not recommended. In any event, antennas damaged by excessive vibration are not covered by warranty. Any tampering, cutting or attempted adjustment of this antenna beyond our recommendations may void all warranty. If you have any questions, please call Diamond Customer Service Dept. at (760) 744-0900.